



Helping hands for your Forklift truck

Fork Positioners

T160 · T466



APPLICATION RECOMMENDATION - MEDIUM DUTY

Along with Sideshifters, Fork Positioners are amongst the most commonly used attachments on forklift trucks. Fork Positioners are a valuable work aid wherever loads of varying widths need to be handled, requiring the fork spacing to be adjusted accordingly. Use of KAUP high-visibility Fork Positioners enables the truck operator to control fork spacing conveniently from the driver seat. This increases the operating efficiency of the forklift and greatly reduces accidents.

- Enlarging the supporting width improves the stability of wide loads while diminishing the risk of the load slipping off the forks.
- Adjusting the supporting width to the width of the load prevents over loading any part of the mast.
- The high-visibility design ensures the driver exact and precise working with the Fork Positioner which guarantees high job performance with a low risk of accidents.

Application recommendation for KAUP Fork Positioners

T156 / T163SN*

Light duty



Fork carriage guided fork adjustment for pick-up of pallets with different widths · Principally level working conditions · Ideal for working in production halls i.e. relatively clean environment · Opening range restricted to the width of the attachment

T160(Z) / T466(Z)

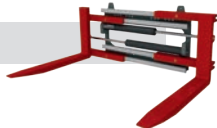
Medium duty



Frequent fork adjustment · Operating with long forks · Different kinds of goods and ways of handling (e.g. forwarders) · Outdoor operation · Opening range can be slightly larger than the width of the attachment

T411Z*

Heavy duty

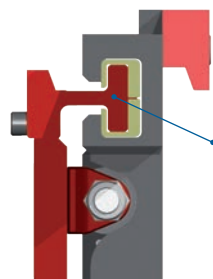


Heavy duty version · Load picked up between the forks · Use of long forks and load pick up at fork tips · Frequent load pick up with max. opening range and pick up to top limit of capacity · Uneven floors · Quick working cycles · Opening range much larger than the width of the attachment

** further information can be found in the brochures showing the range T156 / T163SN and/or T411Z*

KAUP Fork Positioners range T160 and T466

Fork Positioners of the T160 and T466 range ensure that the forklift truck driver has an unobstructed view of the fork tips and load. Using state-of-the-art 3D technology the T160 and T466 components are specifically matched to the requirements specified. As a result the units feature high stability along with optimised tare weight, low lost load center and thus a very good residual capacity, excellent view because the design was optimised with regard to visibility, minimised wear, a service-optimised design and thus low maintenance and operating costs.



ISO profiles and guide profiles are manufactured from one piece which gives the attachment a high degree of rigidity and solidity. Therefore cracks caused by tension or fatigue, which occur on a welded design, can not develop.

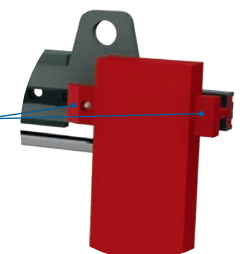


Optimised service: The highly wear-resistant sliding profiles can, when necessary, be replaced quickly and simply on site without the use of special tools.

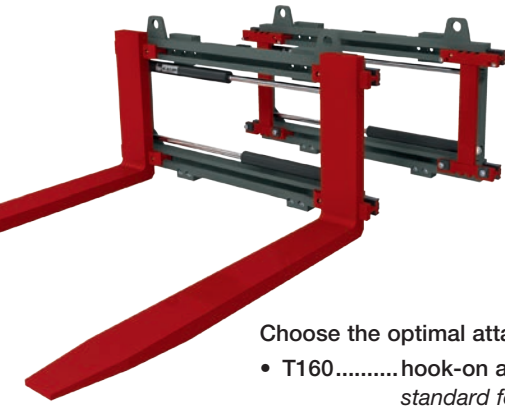


Load Backrest T479: The fork positioner can be fitted on site with a load backrest type T479.

Z-Version: the guide profiles are wider than the fork shanks. This increases stability and reduces wear and tear.



KAUP Fork Positioners – range T160



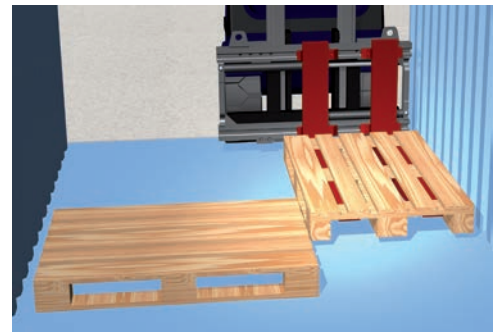
The range T160 with optimised visibility and residual capacity is fitted with valve block side-shift as standard. As valve block sideshift uses the rest stroke of the cylinder for the sideshift function the lateral shift is dependent on the fork position. Depending on the construction width of the attachment a lateral shift of up to ± 300 mm can be achieved. The possibility of the load being picked up off centre must be taken into account when calculating the residual capacity.

Fork Positioners in the range T160 are alternatively available without a sideshift function.

Choose the optimal attachment for your type of operation from the four variations of T160 available:

- T160.....hook-on attachment with fork carriage bars for attaching the original forks in accordance with ISO 2330; *standard forks with all dimensions and lengths up to 2.400 mm mechanical adjustment of forks on the fork carriage bars (different opening ranges)*
- T160BIintegrated attachment with fork carriage bars for attaching the original forks in accordance with ISO 2330; *increased residual capacity of approx. 10 - 15% mechanical adjustment of forks on the fork carriage bars (different opening ranges)*
- T160Z(A) ...hook-on attachment with welded or screw-on (A) forks; *T160Z - with forks welded onto the guide profiles T160ZA - with screw-on forks suitable for operation with a high degree of wear and tear*
- T160IZ(A) ..integrated attachment with welded or screw-on (A) forks; *increased residual capacity of approx. 10 - 15% T160IZ - with forks welded onto the guide profiles T160IZA - with screw-on forks suitable for operation with a high degree of wear and tear*

Container loading: the T160 Fork Positioner with valve block sideshift enables loading and unloading pallets lengthwise on the side walls of the container as it is possible to extend beyond the chassis width.



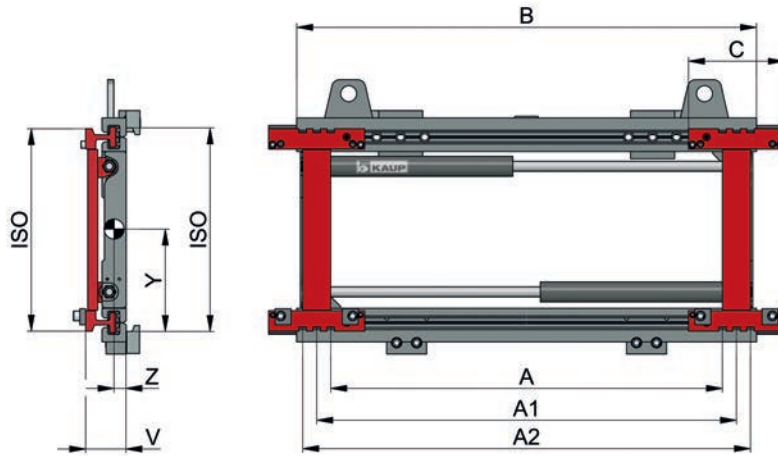
KAUP Fork Positioners – range T466



The range T466 with optimised visibility and residual capacity is fitted with separate sideshift as standard. This ensures that the permissible lateral shift is fully utilized at any position of the forks. KAUP separate sideshift components are designed so that there is no loss of residual capacity. The needle bearing roller guided bottom hooks (**SMOOTHROLL**) considerably reduce friction and ensure energy efficient operation of the attachment. End of stroke slow-down (**SOFTSTOP**) considerably reduces the speed over the last 15mm and thus prevents accidents due to loads falling off and protects the mast components. Furthermore lateral stability is enhanced which ensures the stand stability of the forklift truck.

Choose the optimal attachment for your type of operation from the four variations of T466 available

- T466.....hook-on attachment with fork carriage bars for attaching the original forks in accordance with ISO 2330; *standard forks with all dimensions and lengths up to 2.400 mm mechanical adjustment of forks on the fork carriage bars (different opening ranges)*
- T466BIintegrated attachment with fork carriage bars for attaching the original forks in accordance with ISO 2330; *increased residual capacity of approx. 10 - 15% mechanical adjustment of forks on the fork carriage bars (different opening ranges)*
- T466Z(A) ...hook-on attachment with welded or screw-on (A) forks; *T466Z - with forks welded onto the guide profiles T466ZA - with screw-on forks suitable for operation with a high degree of wear and tear*
- T466IZ(A) ..integrated attachment with welded or screw-on (A) forks; *increased residual capacity of approx. 10 - 15% T466IZ - with forks welded onto the guide profiles T466IZA - with screw-on forks suitable for operation with a high degree of wear and tear*



Fork Positioner T160 with valveblock sideshift dependent on opening range

without forks · for forks acc. to ISO 2330 · 2 hydraulic functions

| Model | Capacity kg | LCD mm | Opening range centre to centre fork | | | B mm | C mm | suitable for max. fork width | ISO cl. | V mm | CofG Z mm | CofG _v Y mm | Weight kg |
|-------------|-------------|--------|-------------------------------------|-----------|-----------|-------|------|------------------------------|---------|------|-----------|------------------------|-----------|
| | | | A mm | A1 mm | A2 mm | | | | | | | | |
| 2 T 160B | 2.500 | 500 | 150-690 | 250-790 | 320-860 | 880 | 240 | 120 | 2 | 96 | 32 | 237 | 110 |
| | | | 150-790 | 250-890 | 320-960 | 980 | | | | | | | |
| | | | 150-850 | 250-950 | 320-1.020 | 1.040 | | | | | | | |
| | | | 150-950 | 250-1.050 | 320-1.120 | 1.150 | | | | | | | |
| | | | 150-1.150 | 250-1.250 | 320-1.320 | 1.350 | | | | | | | |
| | | | 150-1.250 | 250-1.350 | 320-1.420 | 1.450 | | | | | | | |
| | | | 150-1.350 | 250-1.450 | 320-1.520 | 1.550 | | | | | | | |
| | | | 150-1.450 | 250-1.550 | 320-1.620 | 1.650 | | | | | | | |
| 2,5 T 160B | 2.500 | 600 | 150-850 | 250-950 | 320-1.020 | 1.040 | 240 | 120 | 2 | 96 | 30 | 244 | 124 |
| | | | 150-950 | 250-1.050 | 320-1.120 | 1.150 | | | | | | | |
| 3,5 T 160B | 3.600 | 500 | 180-880 | 250-950 | 320-1.020 | 1.040 | 240 | 130 | 3 | 101 | 38 | 258 | 119 |
| | | | 180-980 | 250-1.050 | 320-1.120 | 1.150 | | | | | | | |
| | | | 180-1.080 | 250-1.150 | 320-1.220 | 1.250 | | | | | | | |
| | | | 180-1.180 | 250-1.250 | 320-1.320 | 1.350 | | | | | | | |
| | | | 180-1.280 | 250-1.350 | 320-1.420 | 1.450 | | | | | | | |
| | | | 180-1.380 | 250-1.450 | 320-1.520 | 1.550 | | | | | | | |
| | | | 180-1.480 | 250-1.550 | 320-1.620 | 1.650 | | | | | | | |
| 4,8 T 160B* | 5.000 | 600 | 180-980 | 250-1.050 | 320-1.120 | 1.150 | 255 | 150 | 3 | 111 | 42 | 252 | 196 |
| | | | 180-1.180 | 250-1.250 | 320-1.320 | 1.350 | | | | | | | |
| | | | 180-1.280 | 250-1.350 | 320-1.420 | 1.460 | | | | | | | |
| | | | 180-1.360 | 250-1.430 | 320-1.500 | 1.550 | | | | | | | |
| | | | 180-1.480 | 250-1.550 | 320-1.620 | 1.650 | | | | | | | |
| | | | 180-1.580 | 250-1.650 | 320-1.720 | 1.750 | | | | | | | |
| | | | 180-1.680 | 250-1.750 | 320-1.820 | 1.850 | | | | | | | |
| 6 T 160 | 6.000 | 600 | 260-1.060 | 350-1.150 | 440-1.240 | 1.350 | 330 | 150 | 4 | 136 | 51 | 323 | 261 |
| | | | 260-1.170 | 350-1.260 | 440-1.350 | 1.460 | | | | | | | |
| | | | 260-1.360 | 350-1.450 | 440-1.540 | 1.650 | | | | | | | |
| | | | 260-1.560 | 350-1.650 | 440-1.740 | 1.860 | | | | | | | |
| 8 T 160 | 8.000 | 600 | 260-1.560 | 350-1.650 | 440-1.740 | 1.860 | 330 | 150 | 4 | 136 | 49 | 323 | 315 |
| | | | 260-1.760 | 350-1.850 | 440-1.940 | 2.060 | | | | | | | |
| | | | 260-1.960 | 350-2.050 | 440-2.140 | 2.260 | | | | | | | |
| | | | 260-2.060 | 350-2.150 | 440-2.240 | 2.400 | | | | | | | |
| 10 T 160 | 8.000 | 1.100 | 260-1.760 | 360-1.860 | 460-1.960 | 2.060 | 370 | 200 | 4 | 170 | 68 | 326 | 542 |
| | | | 260-1.960 | 360-2.060 | 460-2.160 | 2.260 | | | | | | | |
| | | | 260-2.060 | 360-2.160 | 460-2.260 | 2.400 | | | | | | | |

*4,8T with capacity (kg/mm) 2.700/1.200 available upon request.

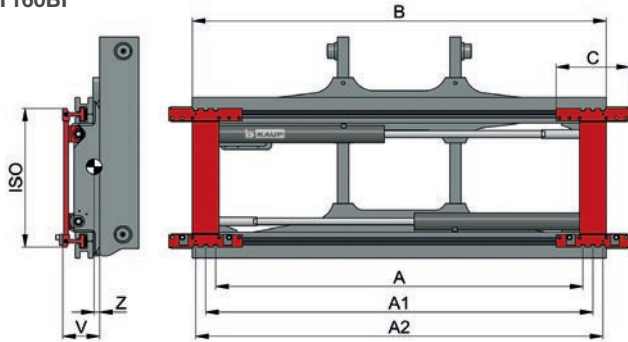
Forks suitable for above attachments available upon request.

Not suitable for clamping between the forks. Available without sideshift. Load Backrest Model T479.

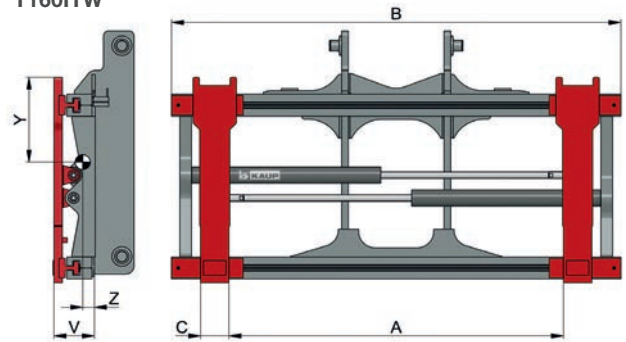


T160BI · T160ITW

T160BI



T160ITW



Fork Positioner integrated T160BI

with **valveblock sidseshift** dependent on opening range · without forks · for forks acc. to ISO 2330 · 2 hydraulic functions

| Model | Capacity kg | LCD mm | Opening range centre to centre fork | | | B mm | C mm | suitable for max. fork width | ISO cl. | V mm | CofG Z mm | Weight kg |
|-------------|-------------|--------|-------------------------------------|-----------|-----------|-------|------|------------------------------|---------|------|-----------|-----------|
| | | | A mm | A1 mm | A2 mm | | | | | | | |
| 2 T 160BI | 2.500 | 500 | 150-850 | 250-950 | 320-1.020 | 1.040 | 240 | 120 | 2 | 116 | 51 | 117 |
| | | | 150-950 | 250-1.050 | 320-1.120 | 1.150 | | | | | 51 | 123 |
| 2,5 T 160BI | 2.500 | 600 | 150-850 | 250-950 | 320-1.020 | 1.040 | 240 | 120 | 2 | 126 | 57 | 126 |
| | | | 150-950 | 250-1.050 | 320-1.120 | 1.150 | | | | | 57 | 132 |
| 3,5 T 160BI | 3.600 | 500 | 180-980 | 250-1.050 | 320-1.120 | 1.150 | 240 | 130 | 3 | 131 | 56 | 165 |
| | | | 180-1.180 | 250-1.250 | 320-1.320 | 1.350 | | | | | 56 | 180 |
| 4,8T 160BI* | 5.000 | 600 | 180-1.180 | 250-1.250 | 320-1.320 | 1.350 | 255 | 150 | 3 | 141 | 63 | 250 |
| | | | 180-1.360 | 250-1.430 | 320-1.500 | 1.550 | | | | | 63 | 269 |
| 6 T 160 BI | 6.000 | 600 | 260-1.170 | 350-1.260 | 440-1.350 | 1.460 | 330 | 150 | 4 | 166 | 64 | 395 |
| | | | 260-1.360 | 350-1.450 | 440-1.540 | 1.650 | | | | | 63 | 411 |
| | | | 260-1.560 | 350-1.650 | 440-1.740 | 1.860 | | | | | 61 | 457 |
| 8 T 160 BI | 8.000 | 600 | 260-1.560 | 350-1.650 | 440-1.740 | 1.860 | 330 | 150 | 4 | 166 | 61 | 457 |
| | | | 260-1.760 | 350-1.850 | 440-1.940 | 2.060 | | | | | 61 | 474 |
| | | | 260-1.960 | 350-2.050 | 440-2.140 | 2.260 | | | | | 62 | 490 |
| | | | 260-2.060 | 350-2.150 | 440-2.240 | 2.400 | | | | | 62 | 502 |
| 10 T 160 BI | 8.000 | 1.100 | 260-1.760 | 360-1.860 | 460-1.960 | 2.060 | 370 | 200 | 4 | 210 | 97 | 605 |
| | | | 260-1.960 | 360-2.060 | 460-2.160 | 2.260 | | | | | 96 | 635 |
| | | | 260-2.060 | 360-2.160 | 460-2.260 | 2.400 | | | | | 94 | 654 |

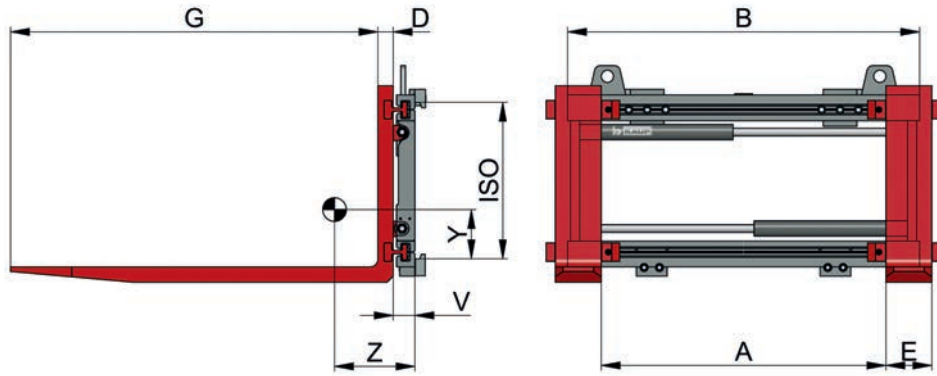
*4,8T with capacity (kg/mm) 2.700/1.200 available upon request.

Fork Positioner integrated T160ITW

with **valveblock sidseshift** dependent on opening range · without forks · for forks with quick release system 'Terminal West' 2 hydraulic functions

| Model | Capacity kg | LCD mm | A mm | B mm | C mm | V mm | CofG Z mm | CofG _v Y mm | Weight kg |
|--------------|-------------|--------|-------------|-------|------|------|-----------|------------------------|-----------|
| 12 T 160 ITW | 12.000 | 600 | 370 - 2.000 | 2.400 | 200 | 233 | 90 | 482 | 1.135 |
| | | | 300 - 2.300 | 2.700 | | | 87 | 484 | 1.235 |
| | | | 500 - 2.700 | 3.100 | | | 87 | 484 | 1.330 |
| 16 T 160 ITW | 16.000 | 600 | 370 - 2.000 | 2.400 | 200 | 233 | 90 | 482 | 1.135 |
| | | | 500 - 2.700 | 3.100 | | | 87 | 484 | 1.330 |
| 24 T 160 ITW | 24.000 | 600 | 270 - 1.900 | 2.400 | 250 | 233 | 90 | 483 | 1.175 |
| | | | 400 - 2.600 | 3.100 | | | 87 | 484 | 1.340 |
| 32 T 160 ITW | 32.000 | 600 | 270 - 2.100 | 2.600 | 250 | 233 | 88 | 493 | 1.470 |
| | | | 260 - 2.600 | 3.100 | | | 86 | 494 | 1.590 |

CofG and weight measurements do not take the cheek plates into account. Forks suitable for above attachments available upon request. Fork carriage drawings, roller studs and chain anchors to be supplied by customer if necessary. Not suitable for clamping between the forks. Available without sidseshift. Load Backrest Model T479. Higher capacities and other construction widths available upon request.



Fork Positioner T160Z

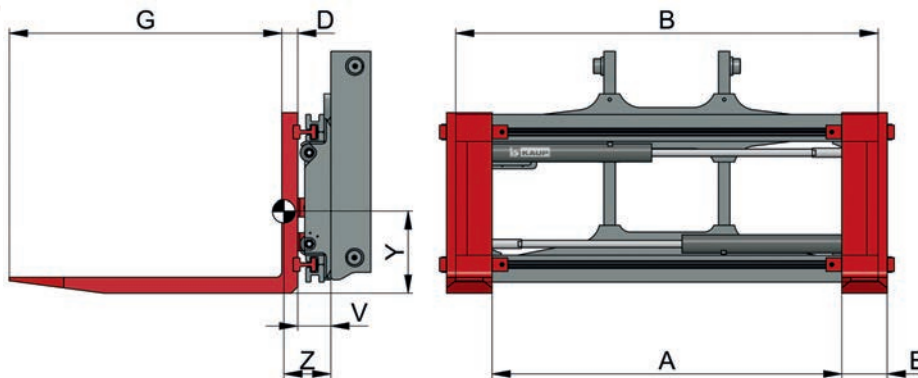
with **valveblock sideshift** dependent on opening range · 2 hydraulic functions

| Model | Capacity kg | LCD mm | A mm | fork profile B mm | D mm | E mm | G mm | ISO cl. | V mm | CofG Z mm | CofG _v Y mm | Weight kg |
|---------------|-------------|--------|-----------|-------------------|------|------|-------|---------|------|-----------|------------------------|-----------|
| 1,5 T 160 BZ | 1.600 | 500 | 170-710 | 880 | 40 | 100 | 1.200 | 2 | 71 | 251 | 132 | 205 |
| | | | 170-810 | 980 | | | | | | 245 | 134 | 209 |
| | | | 170-870 | 1.040 | | | | | | 240 | 135 | 213 |
| | | | 170-970 | 1.150 | | | | | | 234 | 137 | 219 |
| 2 T 160 BZ | 2.500 | 500 | 130-670 | 880 | 45 | 120 | 1.200 | 2 | 71 | 289 | 116 | 240 |
| | | | 130-770 | 980 | | | | | | 284 | 118 | 244 |
| | | | 130-830 | 1.040 | | | | | | 280 | 120 | 247 |
| | | | 130-930 | 1.150 | | | | | | 273 | 122 | 253 |
| | | | 130-1.130 | 1.350 | | | | | | 263 | 125 | 265 |
| | | | 130-1.230 | 1.450 | | | | | | 258 | 127 | 271 |
| | | | 130-1.330 | 1.550 | | | | | | 253 | 129 | 277 |
| 130-1.430 | 1.650 | 248 | 131 | 283 | | | | | | | | |
| 2,5 T 160 BZ | 2.500 | 600 | 130-830 | 1.040 | 50 | 120 | 1.200 | 2 | 71 | 280 | 125 | 265 |
| | | | 130-930 | 1.150 | | | | | | 274 | 126 | 271 |
| 3,5 T 160 BZ | 3.600 | 500 | 130-830 | 1.040 | 50 | 150 | 1.200 | 3 | 71 | 308 | 126 | 302 |
| | | | 130-930 | 1.150 | | | | | | 303 | 129 | 307 |
| | | | 130-1.030 | 1.250 | | | | | | 300 | 131 | 312 |
| | | | 130-1.130 | 1.350 | | | | | | 292 | 133 | 317 |
| | | | 130-1.230 | 1.450 | | | | | | 295 | 135 | 322 |
| | | | 130-1.330 | 1.550 | | | | | | 292 | 138 | 327 |
| | | | 130-1.430 | 1.650 | | | | | | 290 | 140 | 332 |
| 4,5 T 160 BZ | 5.000 | 500 | 130-930 | 1.150 | 60 | 150 | 1.200 | 3 | 84 | 275 | 144 | 403 |
| | | | 130-1.130 | 1.350 | | | | | | 264 | 149 | 421 |
| | | | 130-1.230 | 1.460 | | | | | | 258 | 152 | 433 |
| | | | 130-1.310 | 1.550 | | | | | | 253 | 154 | 439 |
| | | | 130-1.430 | 1.650 | | | | | | 248 | 157 | 450 |
| | | | 130-1.530 | 1.750 | | | | | | 244 | 160 | 458 |
| | | | 130-1.630 | 1.850 | | | | | | 240 | 162 | 467 |
| 4,8 T 160 BZ* | 5.000 | 600 | 130-930 | 1.150 | 70 | 150 | 1.200 | 3 | 84 | 300 | 138 | 444 |
| | | | 130-1.130 | 1.350 | | | | | | 291 | 143 | 462 |
| | | | 130-1.230 | 1.460 | | | | | | 286 | 147 | 471 |
| | | | 130-1.310 | 1.550 | | | | | | 280 | 150 | 480 |
| | | | 130-1.430 | 1.650 | | | | | | 275 | 153 | 492 |
| | | | 130-1.530 | 1.750 | | | | | | 271 | 156 | 504 |
| | | | 130-1.630 | 1.850 | | | | | | 267 | 158 | 517 |
| 6 T 160 Z | 6.000 | 600 | 200-1.110 | 1.350 | 70 | 150 | 1.200 | 4 | 111 | 257 | 192 | 522 |
| | | | 200-1.200 | 1.460 | | | | | | 252 | 194 | 534 |
| | | | 200-1.400 | 1.650 | | | | | | 245 | 199 | 554 |
| | | | 200-1.600 | 1.860 | | | | | | 237 | 204 | 576 |
| | | | 210-2.060 | 2.400 | | | | | | 220 | 214 | 629 |
| 8 T 160 Z | 8.000 | 600 | 200-1.600 | 1.860 | 70 | 150 | 1.200 | 4 | 111 | 237 | 204 | 576 |
| | | | 200-1.800 | 2.060 | | | | | | 230 | 208 | 597 |
| | | | 200-2.000 | 2.260 | | | | | | 224 | 212 | 618 |
| | | | 210-2.060 | 2.400 | | | | | | 220 | 214 | 629 |
| | | | 100-2.000 | 2.400 | | | | | | 243 | 218 | 924 |
| 10 T 160 Z | 8.000 | 900 | 100-1.730 | 2.060 | 70 | 200 | 1.200 | 4 | 138 | 253 | 212 | 877 |
| | | | 100-1.900 | 2.260 | | | | | | 247 | 216 | 905 |
| | | | 100-2.000 | 2.400 | | | | | | 243 | 218 | 924 |
| 10 T 160 Z | 8.000 | 1.100 | 100-1.730 | 2.060 | 80 | 200 | 1.200 | 4 | 138 | 242 | 219 | 900 |
| | | | 100-1.900 | 2.260 | | | | | | 236 | 221 | 928 |
| | | | 100-2.000 | 2.400 | | | | | | 232 | 223 | 947 |

*4,8T with capacity (kg/mm) 2.700/1.200 available upon request.
 Available without sideshift. Load Backrest Model T479.
 Not suitable for clamping between the forks.

ZA-Version:
 with screw-on forks
 available upon request





Fork Positioner integrated T160IZ

with valveblock sideshift dependent on opening range · 2 hydraulic functions

| Model | Capacity kg | LCD mm | A mm | B mm | fork profile | | G mm | V mm | CofG Z mm | CofG _v Y mm | Weight kg | |
|---------------|-------------|--------|-----------|-------|--------------|------|-------|------|-----------|------------------------|-----------|-------|
| | | | | | D mm | E mm | | | | | | |
| 1,5 T 160 BIZ | 1.600 | 500 | 170-870 | 1.040 | 40 | 100 | 1.200 | 91 | 261 | 197 | 210 | |
| | | | 170-970 | 1.150 | | | | | | | 216 | |
| 2 T 160 BIZ | 2.500 | 500 | 130-830 | 1.040 | 45 | 120 | 1.200 | 91 | 300 | 184 | 245 | |
| | | | 130-930 | 1.150 | | | | | | | 251 | |
| 2,5 T 160 BIZ | 2.500 | 600 | 130-830 | 1.040 | 50 | 120 | 1.200 | 101 | 305 | 186 | 267 | |
| | | | 130-930 | 1.150 | | | | | | | 273 | |
| 3,5 T 160 BIZ | 3.600 | 500 | 130-930 | 1.150 | 50 | 150 | 1.200 | 101 | 297 | 217 | 344 | |
| | | | 130-1.130 | 1.350 | | | | | | | 359 | |
| 4,5 T 160 BIZ | 5.000 | 500 | 130-1.130 | 1.350 | 60 | 150 | 1.200 | 114 | 263 | 240 | 469 | |
| | | | 130-1.310 | 1.550 | | | | | | | 489 | |
| 4,8T 160 BIZ* | 5.000 | 600 | 130-1.130 | 1.350 | 70 | 150 | 1.200 | 114 | 291 | 232 | 512 | |
| | | | 130-1.310 | 1.550 | | | | | | | 532 | |
| 6 T 160 BIZ | 6.000 | 600 | 200-1.200 | 1.460 | 70 | 150 | 1.200 | 141 | 264 | 336 | 642 | |
| | | | 200-1.400 | 1.650 | | | | | | | 663 | |
| | | | 200-1.600 | 1.860 | | | | | | | 685 | |
| | | | 200-2.000 | 2.400 | | | | | | | 785 | |
| 8 T 160 BIZ | 8.000 | 600 | 200-1.600 | 1.860 | 70 | 150 | 1.200 | 141 | 252 | 343 | 685 | |
| | | | 200-1.800 | 2.060 | | | | | | | 755 | |
| | | | 200-2.000 | 2.260 | | | | | | | 771 | |
| | | | 210-2.060 | 2.400 | | | | | | | 785 | |
| 10 T 160 BIZ | 8.000 | 900 | 100-1.730 | 2.060 | 70 | 200 | 1.200 | 178 | 268 | 350 | 963 | |
| | | | 100-1.900 | 2.260 | | | | | | | 991 | |
| | | | 100-2.000 | 2.400 | | | | | | | 1.015 | |
| 10 T 160 BIZ | 8.000 | 1.100 | 100-1.730 | 2.060 | 80 | 200 | 1.200 | 178 | 279 | 346 | 1.012 | |
| | | | 100-1.900 | 2.260 | | | | | | | 1.040 | |
| | | | 100-2.000 | 2.400 | | | | | | | 1.064 | |
| 12 T 160 IZ | 12.000 | 600 | 370-2.000 | 2.400 | 80 | 200 | 1.200 | 178 | 225 | 585 | 1.450 | |
| | | | 300-2.300 | 2.700 | | | | | | | 1.540 | |
| | | | 500-2.700 | 3.100 | | | | | | | 1.640 | |
| 16 T 160 IZ | 16.000 | 600 | 370-2.000 | 2.400 | 90 | 200 | 1.200 | 178 | 222 | 585 | 1.600 | |
| | 8.000 | 1.200 | | 2.400 | | | 475 | | | | 498 | 1.905 |
| | 8.000 | 1.200 | 500-2.700 | 3.100 | | | 2.400 | | | | 438 | 517 |
| 24 T 160 IZ | 24.000 | 600 | 270-1.900 | 2.400 | 90 | 250 | 1.200 | 178 | 244 | 568 | 1.755 | |
| | 12.000 | 1.200 | | 2.400 | | | 521 | | | | 474 | 2.137 |
| | 12.000 | 1.200 | 400-2.600 | 3.100 | | | 2.400 | | | | 486 | 492 |
| 32 T 160 IZ | 32.000 | 600 | 270-2.100 | 2.600 | 100 | 250 | 1.200 | 178 | 230 | 585 | 2.020 | |
| | 16.000 | 1.200 | | 2.400 | | | 493 | | | | 493 | 2.435 |
| | 16.000 | 1.200 | 260-2.600 | 3.100 | | | 2.400 | | | | 470 | 505 |

*4,8T with capacity (kg/mm) 2.700/1.200 available upon request.

CofG and weight measurements do not take the cheek plates into account.

Fork carriage drawings, roller studs and chain anchors to be supplied by customer if necessary.

Larger models and different widths available upon request.

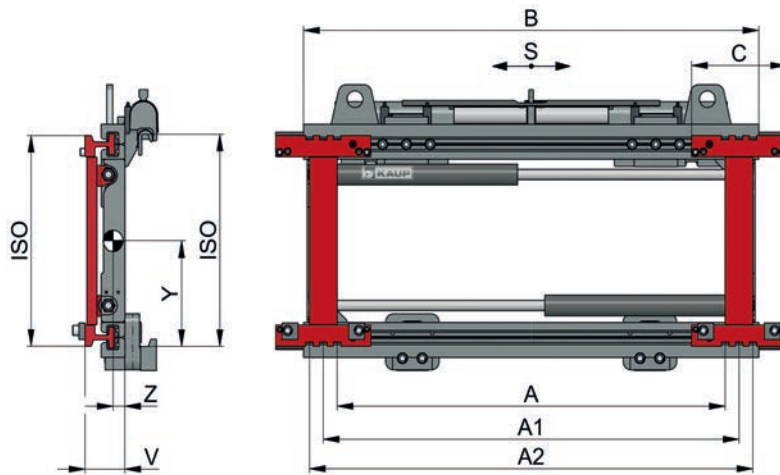
Not suitable for clamping between the forks.

Available without sideshift.

Load Backrest Model T479.



IZA-Version: with screw-on forks available upon request.



Fork Positioner T466

with **independent sideshift** · without forks · for forks acc. to ISO 2330 · 2 hydraulic functions

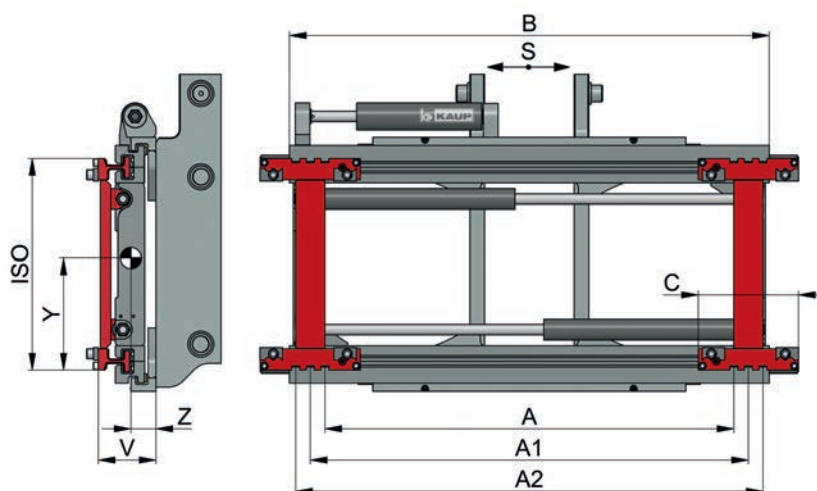
| Model | Capacity kg | LCD mm | Opening range centre to centre fork | | | B mm | C mm | S mm | suitable for max. fork width | ISO cl. | V mm | CofG Z mm | CofG _v Y mm | Weight kg |
|-------------|-------------|--------|-------------------------------------|-----------|-----------|-------|------|-------|------------------------------|---------|------|-----------|------------------------|-----------|
| | | | A mm | A1 mm | A2 mm | | | | | | | | | |
| 2 T 466B | 2.500 | 500 | 150-690 | 250-790 | 320-860 | 880 | 240 | ± 100 | 120 | 2 | 138 | 55 | 245 | 137 |
| | | | 150-790 | 250-890 | 320-960 | 980 | | | | | | 55 | 244 | 141 |
| | | | 150-850 | 250-950 | 320-1.020 | 1.040 | | | | | | 56 | 242 | 145 |
| | | | 150-950 | 250-1.050 | 320-1.120 | 1.150 | | | | | | 57 | 240 | 152 |
| | | | 150-1.150 | 250-1.250 | 320-1.320 | 1.350 | | | | | 57 | 238 | 164 | |
| | | | 150-1.250 | 250-1.350 | 320-1.420 | 1.450 | | | | | 148 | 62 | 237 | 196 |
| | | | 150-1.350 | 250-1.450 | 320-1.520 | 1.550 | | | | | 64 | 235 | 203 | |
| | | | 150-1.450 | 250-1.550 | 320-1.620 | 1.650 | | | | | 67 | 232 | 211 | |
| 2,5 T 466B | 2.500 | 600 | 150-850 | 250-950 | 320-1.020 | 1.040 | 240 | ± 100 | 120 | 2 | 153 | 59 | 227 | 170 |
| | | | 150-950 | 250-1.050 | 320-1.120 | 1.150 | | | | | | 62 | 229 | 185 |
| 3,5 T 466B | 3.500 | 500 | 180-880 | 250-950 | 320-1.020 | 1.040 | 240 | ± 100 | 130 | 3 | 153 | 62 | 283 | 190 |
| | | | 180-980 | 250-1.050 | 320-1.120 | 1.150 | | | | | | 63 | 282 | 198 |
| | | | 180-1.080 | 250-1.150 | 320-1.220 | 1.250 | | | | | | 63 | 281 | 206 |
| | | | 180-1.180 | 250-1.250 | 320-1.320 | 1.350 | | | | | | 64 | 280 | 213 |
| | | | 180-1.280 | 250-1.350 | 320-1.420 | 1.450 | | | | | | 64 | 279 | 221 |
| | | | 180-1.380 | 250-1.450 | 320-1.520 | 1.550 | | | | | | 64 | 278 | 228 |
| | | | 180-1.480 | 250-1.550 | 320-1.620 | 1.650 | | | | | | 65 | 277 | 236 |
| 4,8 T 466B* | 5.000 | 600 | 180-980 | 250-1.050 | 320-1.120 | 1.150 | 255 | ± 100 | 150 | 3 | 153 | 68 | 277 | 243 |
| | | | 180-1.180 | 250-1.250 | 320-1.320 | 1.350 | | | | | | 69 | 275 | 262 |
| | | | 180-1.280 | 250-1.350 | 320-1.420 | 1.460 | | | | | | 69 | 274 | 273 |
| | | | 180-1.360 | 250-1.430 | 320-1.500 | 1.550 | | | | | | 69 | 274 | 282 |
| | | | 180-1.480 | 250-1.550 | 320-1.620 | 1.650 | | | | | 163 | 74 | 270 | 324 |
| | | | 180-1.580 | 250-1.650 | 320-1.720 | 1.750 | | | | | 75 | 270 | 337 | |
| | | | 180-1.680 | 250-1.750 | 320-1.820 | 1.850 | | | | | 75 | 269 | 350 | |
| 6 T 466 | 6.000 | 600 | 260-1.060 | 350-1.150 | 440-1.240 | 1.350 | 330 | ± 100 | 150 | 4 | 176 | 72 | 372 | 348 |
| | | | 260-1.170 | 350-1.260 | 440-1.350 | 1.460 | | | | | | 72 | 370 | 363 |
| | | | 260-1.360 | 350-1.450 | 440-1.540 | 1.650 | | | | | | 72 | 370 | 383 |
| | | | 260-1.560 | 350-1.650 | 440-1.740 | 1.860 | | | ± 160 | | | 72 | 366 | 404 |
| 8 T 466 | 8.000 | 600 | 260-1.560 | 350-1.650 | 440-1.740 | 1.860 | 330 | ± 160 | 150 | 4 | 176 | 72 | 366 | 404 |
| | | | 260-1.760 | 350-1.850 | 440-1.940 | 2.060 | | | | | | 73 | 364 | 425 |
| | | | 260-1.960 | 350-2.050 | 440-2.140 | 2.260 | | | | | | 73 | 362 | 445 |
| | | | 260-2.060 | 350-2.150 | 440-2.240 | 2.400 | | | | | | 74 | 359 | 460 |
| 10 T 466 | 8.000 | 1.100 | 260-1.760 | 360-1.860 | 460-1.960 | 2.060 | 370 | ± 160 | 200 | 4 | 238 | 110 | 351 | 700 |
| | | | 260-1.960 | 360-2.060 | 460-2.160 | 2.260 | | | | | | 110 | 350 | 725 |
| | | | 260-2.060 | 360-2.160 | 460-2.260 | 2.400 | | | | | | 110 | 349 | 745 |

*4,8T with capacity (kg/mm) 2.700/1.200 available upon request.

Not suitable for clamping between the forks.

Widths for reach trucks available upon request.

Load Backrest Model T479. Forks suitable for above attachments available upon request.



Fork Positioner integrated T466BI

with **independent sideshift** · without forks · for forks acc. to ISO 2330 · 2 hydraulic functions

| Model | Capacity kg | LCD mm | Opening range centre to centre fork | | | B mm | C mm | S mm | suitable for max. fork width | ISO cl. | V mm | CofG Z mm | CofG _v Y mm | Weight kg | | | | |
|-------------|----------------|-----------|--|-----------|-----------|---------|---------|---------|---------------------------------------|------------|---------|-----------------|------------------------------|--------------|--|-----|-----|-----|
| | | | A mm | A1 mm | A2 mm | | | | | | | | | | | | | |
| 2 T 466 BI | 2.500 | 500 | 150-850 | 250-950 | 320-1.020 | 1.040 | 240 | ± 100 | 120 | 2 | 133 | 58 | 218 | 156 | | | | |
| | | | 150-950 | 250-1.050 | 320-1.120 | 1.150 | | | | | | | | | | 58 | 217 | 163 |
| 2,5 T 466BI | 2.500 | 600 | 150-850 | 250-950 | 320-1.020 | 1.040 | 240 | ± 100 | 120 | 2 | 133 | 60 | 218 | 158 | | | | |
| | | | 150-950 | 250-1.050 | 320-1.120 | 1.150 | | | | | | | | | | 60 | 217 | 165 |
| 3,5 T 466BI | 3.500 | 500 | 180-980 | 250-1.050 | 320-1.120 | 1.150 | 240 | ±100 | 130 | 3 | 138 | 60 | 262 | 177 | | | | |
| | | | 180-1.180 | 250-1.250 | 320-1.320 | 1.350 | | | | | | | | | | 62 | 262 | 190 |
| 4,8T 466BI* | 5.000 | 600 | 180-1.180 | 250-1.250 | 320-1.320 | 1.350 | 255 | ± 100 | 150 | 3 | 148 | 65 | 268 | 279 | | | | |
| | | | 180-1.360 | 250-1.430 | 320-1.500 | 1.550 | | | | | | | | | | 62 | 266 | 319 |
| 6 T 466 BI | 6.000 | 600 | 260-1.170 | 350-1.260 | 440-1.350 | 1.460 | 330 | ± 100 | 150 | 4 | 171 | 68 | 343 | 402 | | | | |
| | | | 260-1.360 | 350-1.450 | 440-1.540 | 1.650 | | ± 160 | | | | | | | | 68 | 345 | 435 |
| | | | 260-1.560 | 350-1.650 | 440-1.740 | 1.860 | | | | | | | | | | 68 | 343 | 468 |
| 8 T 466 BI | 8.000 | 600 | 260-1.560 | 350-1.650 | 440-1.740 | 1.860 | 330 | ± 160 | 150 | 4 | 171 | 68 | 343 | 468 | | | | |
| | | | 260-1.760 | 350-1.850 | 440-1.940 | 2.060 | | | | | | | | | | 65 | 341 | 523 |
| | | | 260-1.960 | 350-2.050 | 440-2.140 | 2.260 | | | | | | | | | | 65 | 340 | 559 |
| | | | 260-2.060 | 350-2.150 | 440-2.240 | 2.400 | | | | | | | | | | 64 | 340 | 586 |
| 10 T 466 BI | 8.000 | 1.100 | 260-1.760 | 360-1.860 | 460-1.960 | 2.060 | 370 | ± 160 | 200 | 4 | 234 | 102 | 344 | 880 | | | | |
| | | | 260-1.960 | 360-2.060 | 460-2.160 | 2.260 | | | | | | | | | | 101 | 343 | 940 |
| | | | 260-2.060 | 360-2.160 | 460-2.260 | 2.400 | | | | | | | | | | 100 | 342 | 978 |

*4,8T with capacity (kg/mm) 2.700/1.200 available upon request.

CofG and weight measurements do not take the cheek plates into account.

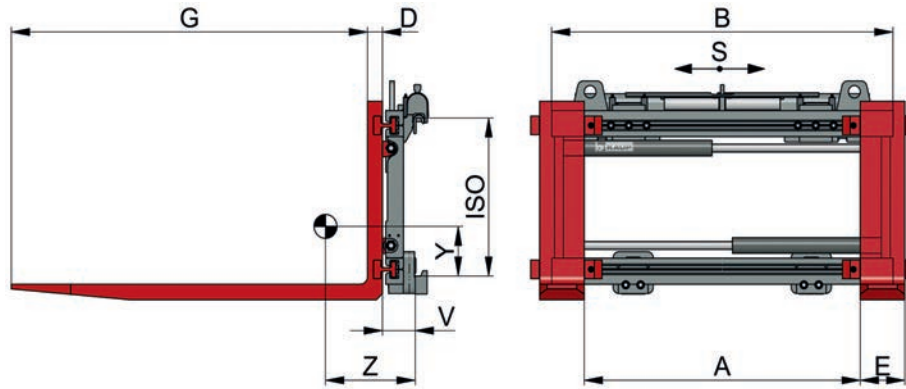
Load Backrest Model T479.

Forks manually adjustable.

Fork carriage drawings, roller studs and chain anchors to be supplied by customer if necessary.

Not suitable for clamping between the forks.

Forks suitable for above attachments available upon request.



Fork Positioner T466Z

with independent sideshift · 2 hydraulic functions

| Model | Capacity kg | LCD mm | A mm | B mm | fork profile D mm | E mm | G mm | S mm | ISO cl. | V mm | CofG Z mm | CofG _v Y mm | Weight kg | |
|---------------|-------------|--------|-----------|-------|-------------------|------|-------|-------|---------|------|-----------|------------------------|-----------|-----|
| 1,5 T 466 BZ | 1.600 | 500 | 170-710 | 880 | 40 | 100 | 1.200 | ± 100 | 2 | 113 | 255 | 150 | 231 | |
| | | | 170-810 | 980 | | | | | | | 251 | 151 | 237 | |
| | | | 170-870 | 1.040 | | | | | | | 248 | 152 | 240 | |
| | | | 170-970 | 1.150 | | | | | | | 243 | 153 | 246 | |
| 2 T 466 BZ | 2.500 | 500 | 130-670 | 880 | 45 | 120 | 1.200 | ± 100 | 2 | 113 | 295 | 134 | 267 | |
| | | | 130-770 | 980 | | | | | | | 292 | 135 | 271 | |
| | | | 130-830 | 1.040 | | | | | | | 287 | 136 | 274 | |
| | | | 130-930 | 1.150 | | | | | | | 282 | 138 | 280 | |
| | | | 130-1.130 | 1.350 | | | | | | | 274 | 140 | 292 | |
| | | | 130-1.230 | 1.450 | | | | | | | 123 | 265 | 143 | 323 |
| | | | 130-1.330 | 1.550 | | | | | | | 262 | 145 | 331 | |
| | | | 130-1.430 | 1.650 | | | | | | | 257 | 149 | 339 | |
| 2,5 T 466 BZ | 2.500 | 600 | 130-830 | 1.040 | 50 | 120 | 1.200 | ± 100 | 2 | 128 | 279 | 136 | 317 | |
| | | | 130-930 | 1.150 | | | | | | | 274 | 138 | 325 | |
| | | | | | | | | | | | | | | |
| 3,5 T 466 BZ | 3.500 | 500 | 130-830 | 1.040 | 50 | 150 | 1.200 | ± 100 | 3 | 123 | 293 | 166 | 372 | |
| | | | 130-930 | 1.150 | | | | | | | 288 | 168 | 380 | |
| | | | 130-1.030 | 1.250 | | | | | | | 284 | 170 | 388 | |
| | | | 130-1.130 | 1.350 | | | | | | | 280 | 171 | 395 | |
| | | | 130-1.230 | 1.450 | | | | | | | 276 | 173 | 402 | |
| | | | 130-1.330 | 1.550 | | | | | | | 272 | 174 | 409 | |
| | | | 130-1.430 | 1.650 | | | | | | | 268 | 176 | 416 | |
| 4,5 T 466 BZ | 5.000 | 500 | 130-930 | 1.150 | 60 | 150 | 1.200 | ± 100 | 3 | 126 | 285 | 170 | 450 | |
| | | | 130-1.130 | 1.350 | | | | | | | 275 | 173 | 468 | |
| | | | 130-1.230 | 1.460 | | | | | | | 270 | 175 | 479 | |
| | | | 130-1.310 | 1.550 | | | | | | | 267 | 176 | 488 | |
| | | | 130-1.430 | 1.650 | | | | | | | 136 | 248 | 185 | 523 |
| | | | 130-1.530 | 1.750 | | | | | | | 243 | 187 | 536 | |
| | | | 130-1.630 | 1.850 | | | | | | | 238 | 190 | 549 | |
| 4,8 T 466 BZ* | 5.000 | 600 | 130-930 | 1.150 | 70 | 150 | 1.200 | ± 100 | 3 | 126 | 311 | 162 | 491 | |
| | | | 130-1.130 | 1.350 | | | | | | | 302 | 165 | 510 | |
| | | | 130-1.230 | 1.460 | | | | | | | 298 | 167 | 521 | |
| | | | 130-1.310 | 1.550 | | | | | | | 294 | 169 | 530 | |
| | | | 130-1.430 | 1.650 | | | | | | | 136 | 275 | 177 | 574 |
| | | | 130-1.530 | 1.750 | | | | | | | 280 | 179 | 587 | |
| | | | 130-1.630 | 1.850 | | | | | | | 285 | 182 | 600 | |
| 6 T 466 Z | 6.000 | 600 | 200-1.110 | 1.350 | 70 | 150 | 1.200 | ± 100 | 4 | 151 | 280 | 225 | 620 | |
| | | | 200-1.200 | 1.460 | | | | | | | 277 | 226 | 630 | |
| | | | 200-1.400 | 1.650 | | | | | | | ± 160 | 269 | 232 | 655 |
| | | | 200-1.600 | 1.860 | | | | | | | | 262 | 235 | 682 |
| | | | | | | | | | | | | | | |
| 8 T 466 Z | 8.000 | 600 | 200-1.600 | 1.860 | 70 | 150 | 1.200 | ± 160 | 4 | 151 | 262 | 235 | 682 | |
| | | | 200-1.800 | 2.060 | | | | | | | 256 | 238 | 704 | |
| | | | 200-2.000 | 2.260 | | | | | | | 250 | 240 | 725 | |
| | | | 210-2.060 | 2.400 | | | | | | | 247 | 242 | 741 | |
| | | | | | | | | | | | | | | |
| 10 T 466 Z | 8.000 | 900 | 160-1.790 | 2.060 | 70 | 200 | 1.200 | ± 160 | 4 | 205 | 276 | 245 | 1.025 | |
| | | | 160-1.960 | 2.260 | | | | | | | 272 | 247 | 1.050 | |
| | | | 160-2.060 | 2.400 | | | | | | | 269 | 248 | 1.070 | |
| 10 T 466 Z | 8.000 | 1.100 | 160-1.790 | 2.060 | 80 | 200 | 1.200 | ± 160 | 4 | 205 | 286 | 240 | 1.075 | |
| | | | 160-1.960 | 2.260 | | | | | | | 283 | 242 | 1.100 | |
| | | | 160-2.060 | 2.400 | | | | | | | 280 | 243 | 1.120 | |
| | | | | | | | | | | | | | | |

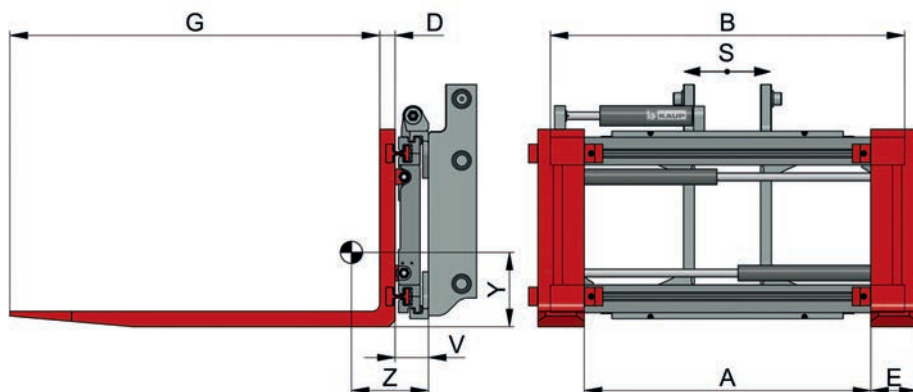
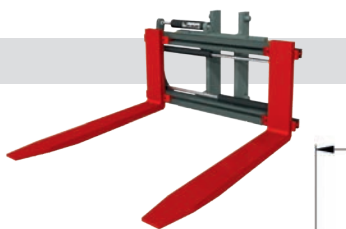
*4,8T with capacity (kg/mm) 2.700/1.200 available upon request.

Load Backrest Model T479.

Not suitable for clamping between the forks.

ZA-Version:
with screw-on forks
available upon request





Fork Positioner integrated T466BIZ

with independent sideshift · 2 hydraulic functions

| Model | Capacity kg | LCD mm | A mm | B mm | fork profile D mm | E mm | G mm | S mm | V mm | CofG Z mm | CofG _v Y mm | Weight kg | |
|---------------|-------------|--------|-----------|-------|-------------------|------|-------|-------|------|-----------|------------------------|-----------|-------|
| 1,5 T466 BIZ | 1.600 | 500 | 170-870 | 1.040 | 40 | 100 | 1.200 | ± 100 | 108 | 236 | 218 | 249 | |
| | | | 170-970 | 1.150 | | | | | | | 220 | 256 | |
| 2 T466 BIZ | 2.500 | 500 | 130-830 | 1.040 | 45 | 120 | 1.200 | ± 100 | 108 | 275 | 204 | 284 | |
| | | | 130-930 | 1.150 | | | | | | | 206 | 291 | |
| 2,5 T466 BIZ | 2.500 | 600 | 130-830 | 1.040 | 50 | 120 | 1.200 | ± 100 | 108 | 282 | 202 | 298 | |
| | | | 130-930 | 1.150 | | | | | | | 203 | 305 | |
| 3,5 T466 BIZ | 3.500 | 500 | 130-930 | 1.150 | 50 | 150 | 1.200 | ± 100 | 108 | 255 | 242 | 359 | |
| | | | 130-1.130 | 1.350 | | | | | | | 245 | 372 | |
| 4,5 T466 BIZ | 5.000 | 500 | 130-1.130 | 1.350 | 60 | 150 | 1.200 | ± 100 | 121 | 262 | 249 | 485 | |
| | | | 130-1.310 | 1.550 | | | | | | | 246 | 525 | |
| 4,8 T466 BIZ* | 5.000 | 600 | 130-1.130 | 1.350 | 70 | 150 | 1.200 | ± 100 | 121 | 291 | 241 | 528 | |
| | | | 130-1.310 | 1.550 | | | | | | | 247 | 568 | |
| 6 T 466 BIZ | 6.000 | 600 | 200-1.200 | 1.460 | 70 | 150 | 1.200 | ± 100 | 146 | 258 | 352 | 676 | |
| | | | 200-1.400 | 1.650 | | | | ± 160 | | | 250 | 356 | 702 |
| | | | 200-1.600 | 1.860 | | | | 240 | | | 362 | 741 | |
| 8 T 466 BIZ | 8.000 | 600 | 200-1.600 | 1.860 | 70 | 150 | 1.200 | ± 160 | 146 | 240 | 362 | 741 | |
| | | | 200-1.800 | 2.060 | | | | | | | 233 | 366 | 771 |
| | | | 200-2.000 | 2.260 | | | | | | | 218 | 372 | 835 |
| | | | 210-2.060 | 2.400 | | | | | | | 212 | 376 | 866 |
| 10 T 466 BIZ | 8.000 | 900 | 160-1.790 | 2.060 | 70 | 200 | 1.200 | ± 160 | 201 | 246 | 385 | 1.191 | |
| | | | 160-1.960 | 2.260 | | | | | | | 238 | 389 | 1.250 |
| | | | 160-2.060 | 2.400 | | | | | | | 233 | 390 | 1.288 |
| 10 T 466 BIZ | 8.000 | 1.100 | 160-1.790 | 2.060 | 80 | 200 | 1.200 | ± 160 | 201 | 256 | 381 | 1.240 | |
| | | | 160-1.960 | 2.260 | | | | | | | 248 | 384 | 1.299 |
| | | | 160-2.060 | 2.400 | | | | | | | 244 | 386 | 1.337 |

*4,8T with capacity (kg/mm) 2.700/1.200 available upon request.
 CofG and weight measurements do not take the cheek plates into account.
 Fork carriage drawings, roller studs and chain anchors to be supplied by customer if necessary.
 Larger models and different widths available upon request.
 Not suitable for clamping between the forks.
 Load Backrest Model T479.



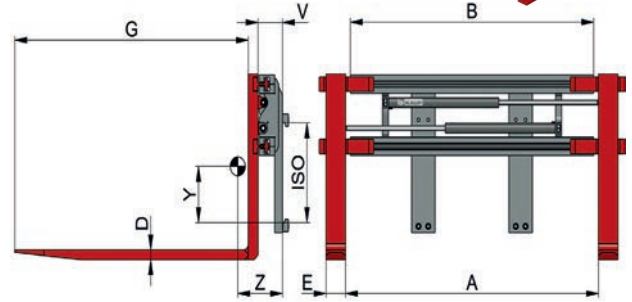
IZA-Version: with screw-on forks available upon request.

Fork Positioners for Reach Trucks

As the leading manufacturer of industrial truck attachments, **KAUP** supplies a complete range of attachments specially designed for reach trucks. Due to the complexity of the scope (details regarding the wheel arms, ground clearance, width of the attachment etc.) it is advisable to contact our specialists directly for an individual quotation.

Fork Positioner T466ZH

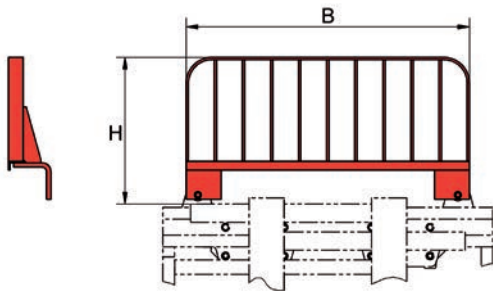
without sideshift - 1 hydraulic function



| Model | Capacity kg | LCD mm | A mm | B mm | fork profile D mm | E mm | G mm | ISO cl. | V mm | CofG Z mm | CofG _v Y mm | Weight kg | |
|------------|-------------|--------|-----------|-------|-------------------|------|-------|---------|------|-----------|------------------------|-----------|-----|
| 2 T 466 ZH | 1.900 | 600 | 325-1.285 | 1.250 | 40 | 120 | 1.200 | 2 | 126 | 258 | 191 | 270 | |
| | | | 320-1.780 | 1.720 | | | | | | 135 | 222 | 318 | 380 |
| | | | 320-1.900 | 1.860 | | | | | | | 219 | 324 | 390 |

Fork Positioner T411ZH and T411ZH available upon request.

Load Backrests

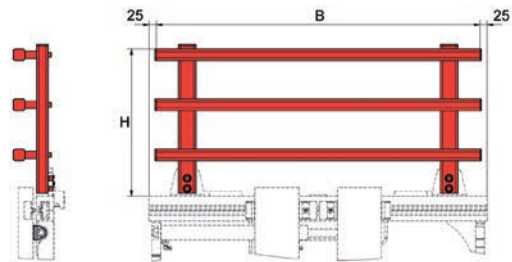


Load Backrest T479

for KAUP fork positioners T160 - T466 from 6T

| Model | B mm | H mm | Weight kg |
|-----------|-------|------|-----------|
| 1 T 479 | 970 | 500 | 26 |
| 1,5 T 479 | 970 | 500 | 26 |
| 2 T 479 | 1.130 | 500 | 28 |
| 3 T 479 | 1.130 | 500 | 28 |
| 4 T 479 | 1.130 | 500 | 32 |
| 5 T 479 | 1.330 | 500 | 37 |
| 6 T 479 | 1.550 | 500 | 48 |
| 8 T 479 | 1.860 | 500 | 55 |
| 10 T 479 | 2.060 | 500 | 78 |

Maximum height H = 1.000 mm, otherwise upon request.



Load Backrest T479.1

for KAUP fork positioners T160B - T466B up to 4.8T

| Model | B mm | H mm | Weight kg |
|-------------|-------|------|-----------|
| 2 T 479.1 | 990 | 500 | 19 |
| 3,5 T 479.1 | 1.100 | 500 | 21 |
| 4,8 T 479.1 | 1.300 | 500 | 24 |

Maximum height H = 1.000 mm.

Please note:
load backrest width (B) corresponds to width of T160 / T466B range minus 50 mm.

Load Backrest T479.1 for KAUP integrated fork positioners T466BI and T466BIZ up to 4.8T available upon request.

KAUP attachments correspond to the requirements of the valid EC regulations regarding quality, safety and technical documentation. All technical data are subject to alteration.

KAUP is certified acc. to DIN EN ISO 9001



Helping hands for your Forklift truck

KAUP GmbH & Co. KG

Braunstrasse 17 · D - 63741 Aschaffenburg

☎ +49 6021 865-0 · 📠 +49 6021 865-213

E-Mail: kaup@kaup.de · www.kaup.de